



SPEED GATE TURNSTILES GS-3000 Series

GateSet Exclusive Line GS-3000 Series Speed Gate Turnstiles are robust products functioning to provide pedestrian access control in areas requiring moderate level of security. With its compact case design, provides a perfect solution for tight installation areas. Encoder and PLC controlled obstacle movement is provided by brushless DC motor, and enhanced with security features such as anti-tail-gating and anti-pass-back, with five pairs of optical sensors embedded in the turnstile case, which in total ensures one of the highest reliability available in market and a remarkably long life even in case of intensive usages. GS-3000 Series Speed Gates are the perfect solution, where design, aesthetics and passage speed are important.

ExclusiveLineGS-3000Datasheet v.2.0

Functional Highlights



Linear Wing Movement



Bidirectional



Indoor



Security / Comfort



30 Passages / min

Usage Areas

Access Control
 Fee Collection
 Access Restriction
 Business Centers
 Government Offices
 Sport Centers
 Industrial Plants

Featured Characteristics

- Elegant** - Satin finished 304 Stainless Steel Case, tempered glass top cover and obstacles
- Reliable** - Brushless DC motor, controlled by Omron PLC providing a long product life with minimum maintenance
- Compact** - Only 1000 mm long Case provides ease of installation at tight areas
- Secure** - Anti-Pass-Back and Anti-Tail-Gating with 5 pairs of embedded industrial optical sensors
- Flexible** - Ease of integration with various access control systems thanks to its control PLC answering all demanded high-end functions

Products in this Series

- GS-3300**
- Standard Single Wing
 - 304 Stainless Steel Body
 - Black Tainted Glass Top
 - Configured as:
 - * Master / Starting Unit or
 - * Slave / Ending Unit
 - Provides one 550 mm wide Passage together with corresponding standard wing



- GS-3900**
- Disabled Single Wing
 - 304 Stainless Steel Body
 - Black Tainted Glass Top
 - Configured as:
 - * Master / Starting Unit or
 - * Slave / Ending Unit
 - Provides one 900 mm wide Passage together with corresponding disabled wing



- GS-3600**
- Standard Double Wing
 - 304 Stainless Steel Body
 - Black Tainted Glass Top
 - Configured as:
 - * Master / Center Unit and
 - * Slave / Center Unit
 - Provides two 550 mm wide Passages at each side together with corresponding standard wings

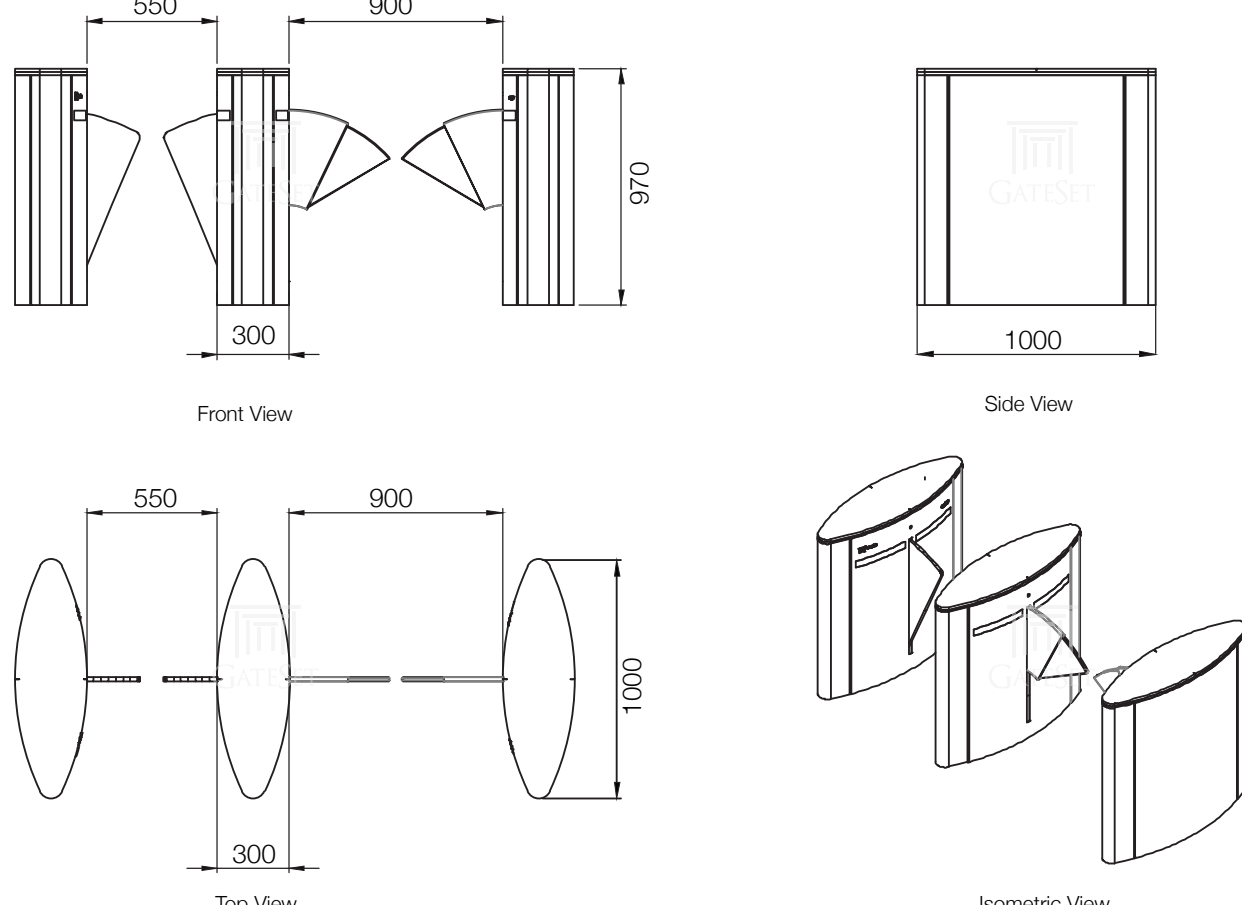


- GS-3920**
- Hybrid Double Wing
 - 304 Stainless Steel Body
 - Black Tainted Glass Top
 - Configured as:
 - * Master / Center Unit and
 - * Slave / Center Unit
 - Provides one 550 mm wide and one 900 mm wide Passages at each side together with corresponding standard and disabled wings



ExclusiveLineGS-3000Datasheet v.2.0

Drawings and Dimensions*



* Dimensions are given for 1+1 Passage Configuration. Subject to change depending on design or project needs without prior notice

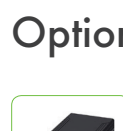
Technical Specifications*

MATERIAL - MAIN BODY	1.5 mm 304 grade stainless steel, satin finishing
MATERIAL - TOP COVER	10 mm Plexiglas Layer for LED Stripes, Finished by 10 mm Tempered Safety Glass (Black Tainted)
MATERIAL - INNER CASE	Reinforced with 5 mm horizontal galvanized metal bars to increase strength
MATERIAL - OBSTACLE	15 mm thick safety Plexiglas for standard passage
SIDE COVERS	25 mm thick Polyurethane with steel carcass combined with 15 mm inner Plexiglas for disabled passage Removable to provide easy access for servicing and maintenance
TREATMENT - OTHER PARTS	Optical sensors are covered with 3mm thick Plexiglas
DIMENSIONS (mm)	All other parts are coated against corrosion
OBSTACLE LENGTH (mm)	300 x 1000 x 970
PASSAGE WIDTH (mm)	225 mm (Standard Wing), 425 mm (Disabled Wing)
WING HEIGHT	550 mm (Standard Passage), 900 (Disabled Passage)
OPERATING VOLTAGE	830 mm
POWER CONSUMPTION	115-240 V AC / 24V DC - 50-60 Hz
OPERATING TEMPERATURE	150 W (max) for single wing, 300 W (max) for double wings
ACCESS CONTROL	-20 °C / + 70 °C
SENSOR CONTROL	Highest end Omron PLC control for contact access. Highest integration with all kind of access control equipment, configured to receive free contact at standard
OCCUPANCY MONITORING	5 point (pairs) IR sensor control for N/O mode, sequential (switching) passage feature for N/C mode.
WARNING INDICATORS	The system continuously monitors the status of the corridor and gives alarm in several cases
ENCOUNTERING	When a user occupies the lane without flushing a card, systems gives alarm after an adjustable time
ANTI-TAIL-GATING	In instances where the lane is not used when access is granted the system will give alarm after adjustable time-out duration is exceeded
POSITION DETECTION	When the lane is occupied from the opposite direction of the granted access, the system will give alarm
WARNING INDICATORS	When an unauthorized access attempt is made right after a valid access, system will give alarm and block access right after the valid passage (alarm/block access configurations are adjustable)
SIDE STRIPES	Position of the obstacle wings are detected by inductive switches
OBSTACLE MOVEMENT	Two separate warning indicators at front and rear sides of the gate.
SAFETY SENSOR	Green arrow indicates "Passage Open", Red rear indicates "Passage Closed"
DIRECTIONAL MODE	Passage indication with side LEDs. Green for passage free, Red for passage blocked, Blue for standby
OPERATION SAFETY	Motorized movement by 24 V DC - 30 W brushless motor coupled with 30:1 gearbox for standard wing and 50:1 gearbox for articulated wing. Speed control with encoder.
ELECTRICAL FAILURES	Middle safety IR sensor for preventing obstacle - user interference
EMERGENCY OPERATION	Unidirectional and Bidirectional operation features as "Only Entrance", "Only Exit", "Entrance and Exit"
INSTALLATION	Handling more than 30 passengers per minute.
WARRANTY	Electrical and mechanical safety for all components. To avoid injuries, all corners and sides are rounded
	The wings are released automatically to be opened easily by hand
	Fail-Safe: Wings will be remain it the current position (standard)
	Fail-Secure Wings automatically hide to ensure safe evacuation during emergency (optional)
	Ease of installation with mounting plate
	ISO 9001:2015
	2 Years

* Subject to change depending on design or project needs without prior notice

ExclusiveLineGS-3000Datasheet v.2.0

Optional Accessories



DC Power Pack
 With DC Power Pack, wings can be configured to open automatically in case of power failure



Laser Logo Engraving on Wings
 Personalized graphics engraving with laser on obstacles are provided on demand



Stand-Along Card Reader
 For sites without Access Control System, seamless stand-alone card reader is available



Button Control Panel
 Designed for ease of operation from reception or supervision desks, remote or wired options

Finishing Options

- Standard** - 304 Stainless Steel, Satin Finishing
- Optional** - 316 Grade Stainless Steel, Satin Finishing
- Optional** - Powder Coating with Anti-Rust Layer and Heat Treatment (RAL Colours Available)

