

# TIRE KILLERS BARRIERS GSK Series

GateSet GSK Series Surface Mount Mechanical Tire Killers provide directional traffic control by allowing traffic in one way and blocking traffic in opposite way by flattening vehicle tires with its closely placed spike structure. GSK Series comes in manual operation with latch-down mechanism and it is upgradable to electromechanical motorized operation. Manufactured from heavy gauge steel, GSK Series Tire Killers are robust products, bearing high axle loads and offering long product life.

GSKDatasheet v.2.0

## Usage Areas

*Access Control*

- Military Sites
- Government Offices
- Police Headquarters
- Research Centers
- Embassies
- Airports
- Industrial Areas

## Featured Characteristics

*Flexible* Available as both 1 meter modules and in required lengths depending on project needs

*Robust* Manufactured from heavy gauge steel

*Secure* Spike structure with high durability bearings provides maximum endurance

## Products in this Series

**GSK**

- **Blocking Length / Modules:**  
\* Blocking Length: Unlimited  
\* 1000 mm Module Length



**GSK-L**

- **Blocking Length / Modules:**  
\* Blocking Length: Unlimited  
\* 1000 mm Module Length

- **Latch-Down Operation:**  
\* Single Point for 6000 mm Width  
\* Lock Features Up and Down Positions



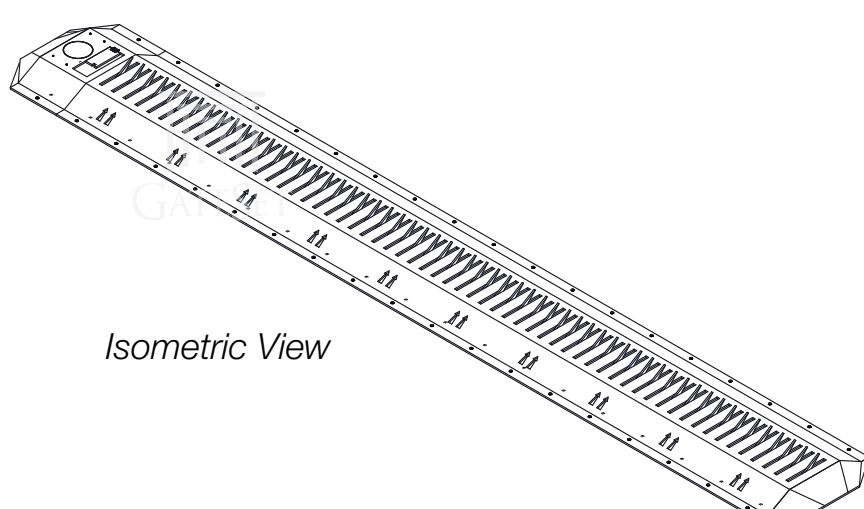
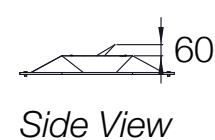
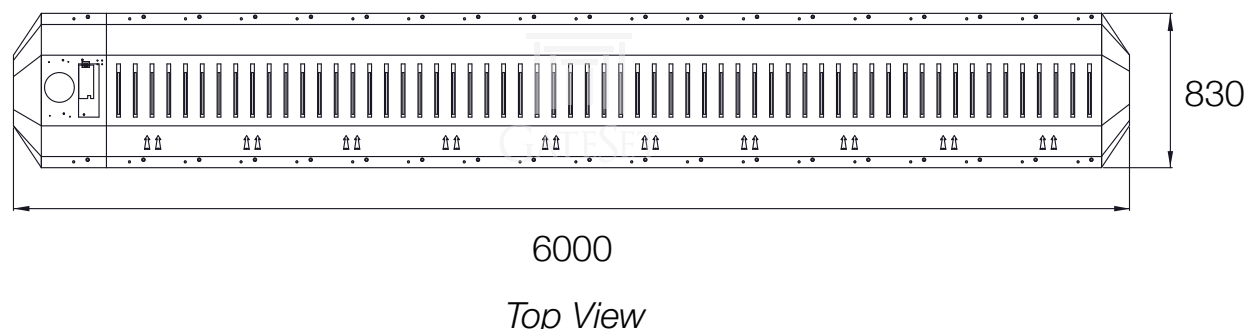
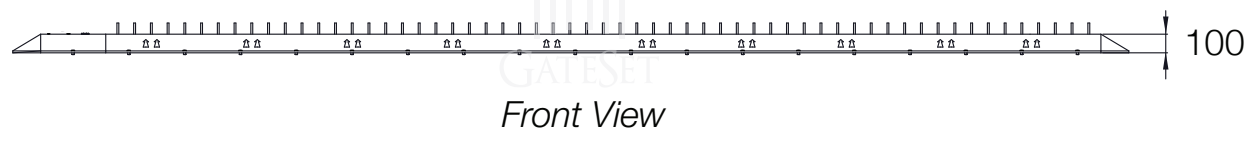
**GSK-M**

- **Blocking Length / Modules:**  
\* Blocking Length: Unlimited  
\* 1000 mm Module Length  
\* Motorized Movement



GSKDatasheet v.2.0

## Drawings and Dimensions\*



Subject to change depending on design or project needs without prior notice

## Technical Specifications\*

TOP PLATE	10mm ST52 Steel
TIRE KILLER SPIKE	10mm ST52 Steel
TREATMENT	Two Component Surface Tolerant Epoxy Mastic Coating for Corrosion Protection (Jotamastic) and Painted with Polyester Outdoor Paint
OPERATION	Motorized or manual, independently moving teeth. Optional latch-down mechanism for motorized or manual operation
SPIKE HEIGHT (in mm)	60
SPIKE CLOSURE (in mm)	90
RESISTANCE	10 Tons/Axle
SPIKE QUANTITY	10 Teeth / Meter
DIMENSIONS (in mm)	6000 x 830
BLOCKING WIDTH	Intermediate Widths of Multitude of 1 meter (standard) One piece production depend on requirement (optional)
POWER INPUT**	220 V AC / 50-60 Hz single phase
MOTOR**	0.55 kW, controlled by electronic control board
OPENING/CLOSING TIME**	2-3 seconds adjustable
OPERATING TEMPERATURES**	-25°C / +70°C
LATCH-DOWN*	Latch down mechanism with lock points up and down
INSTALLATION	Surface mount
MOTORIZED OPERATION	Upgradeable system design for future motorized operation requirement
CERTIFICATION	ISO 9001:2015
WARRANTY	2 Years

\*GSK1000-L Series  
\*\*GSK1000-M Series

\* Subject to change depending on design or project needs without prior notice