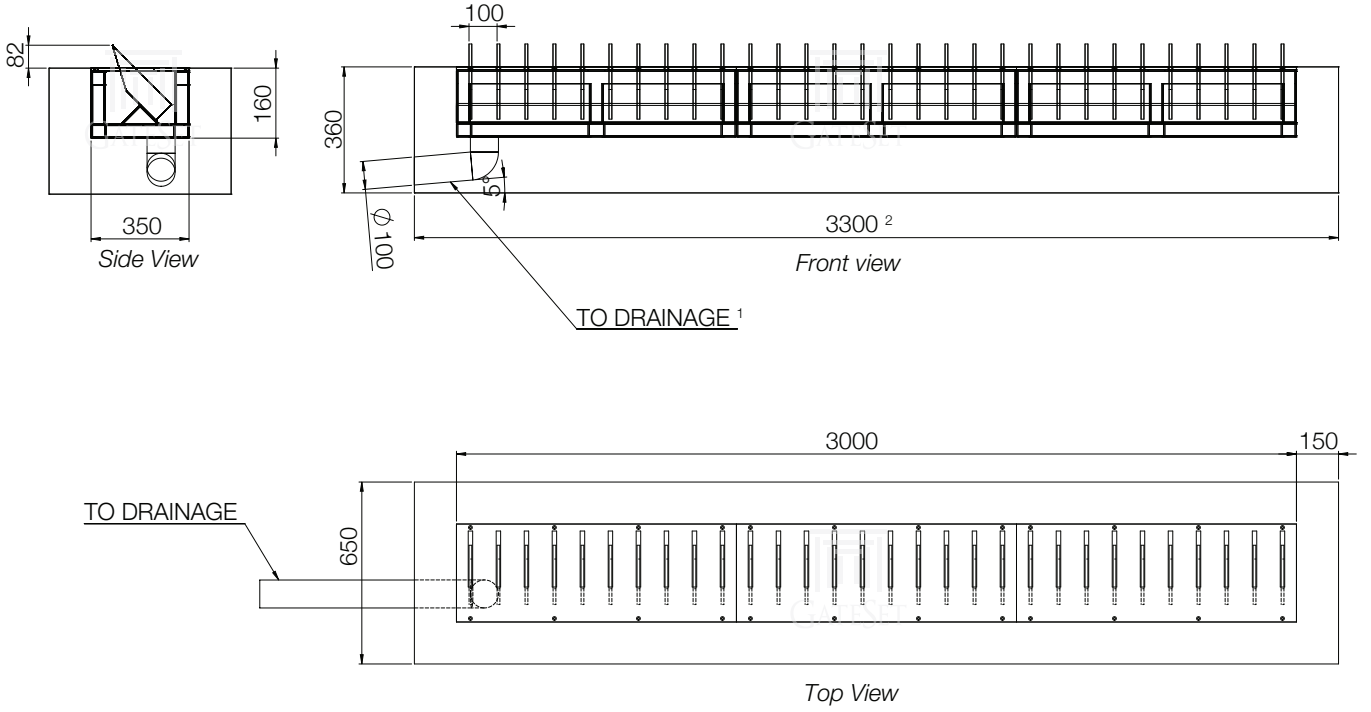


MKS Series Tire Killers*



REMARKS

- 1- Concrete Foundation with Drainage
- 2- Sample Dimensions for 3 meters with 3 pieces of 1 meter modules. Typically Total Module Length + 300

REVISION Technical Drawings v.2.0

MODEL MKS
DATE 30.07.2019
CREATED duran...
APPROVED Mustafaoglu...
SCALE not defined