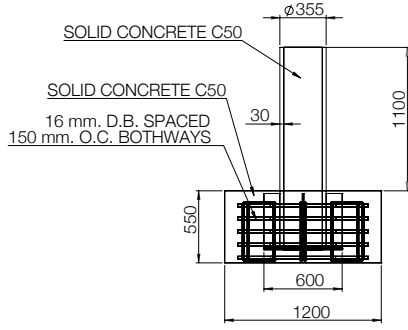
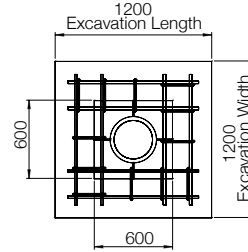


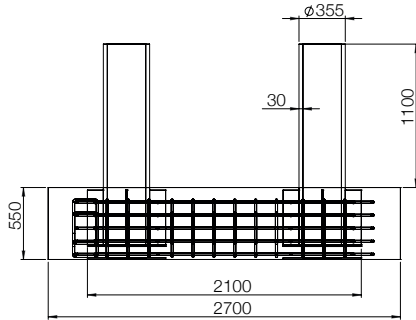
GFB9000 Series Fixed Bollard Barriers *



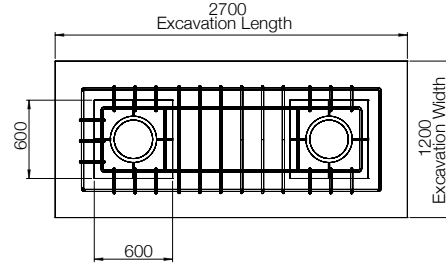
Front View



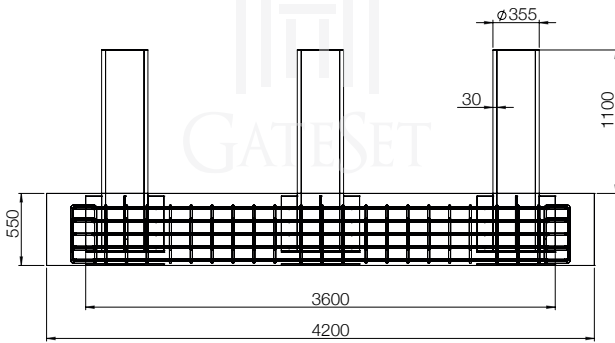
Top View



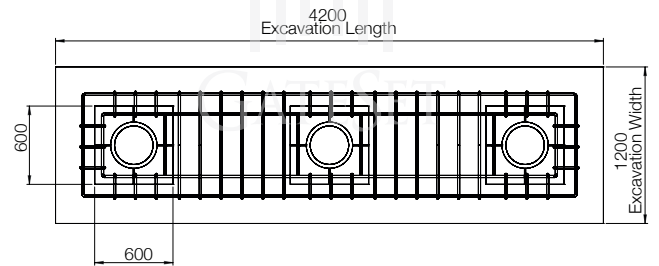
Front View



Top View



Front View



Top View

*Subject to change depending on design or project needs without prior notice

REVISION Technical Drawings v.2.0

MODEL: GFB9000 Series
DATE: 31.03.2022
CREATED: duran...
APPROVED: Mustafaoglu...
SCALE: not...
DRAWN: not...