

PARKING MANAGEMENT TICKETING AND ID SYSTEMS

GMS>M Series

GateSet provides a complete solution for parking management with fee collection, membership administration and visual guidance for public and private parking areas. GTM Series Ticket Dispenser and Reader Machines are fully controlled in an online mode by GMS5000 Parking Management Software. Vehicle access is regulated by GateSet Barriers which come with a vast variety, depending on application area and are seamlessly integrated with GMS/GTM Series. GateSet Parking Management Systems provide reliable, flexible and user-friendly solutions for parking management and are compatible for busy areas with high capacity.

GMS>M Datasheet v.2.0

Usage Areas

- Access Control*
- Military Sites
 - Government Offices
 - Shopping Malls
 - Business Centers
 - Hospitals
 - Embassies
 - Airports

Featured Characteristics

- Reliable* High quality equipment selection throughout the entire system components, providing an end-to-end solution with remarkable authenticity
- Interactive* A user-friendly solution is provided with interactive displays on equipment and explicit guidance screens which show the closest available parking location to the guests
- Flexible* Optional integration in a seamless fashion with ID systems such as RFID membership cards, license plate recognition systems and different payment configurations
- TailorMade* With the project-specific approach of GateSet engineering department, site requirements are carefully investigated and ideal solutions are provided with exact required specifications

Products in this Series

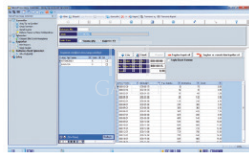
GTM2200 Ticket Dispenser Machines are designed to deliver parking tickets in a fast and reliable fashion. The unit prints barcode-based entrance data on CR-80 sized carton tickets, which can optionally include license plate details. System is also compatible with RFID membership.



GTM4200 Ticket Collector Machines are designed to collect parking tickets regardless of inserting direction. System can optionally be equipped with embedded contactless card reader for membership and VIP guests.



SOFTWARE With different configuration options such as central payment and pay-at-exit, GateSet Parking Management Software comes with features such as membership and fee definitions, automatic fee calculation and detailed transaction reporting

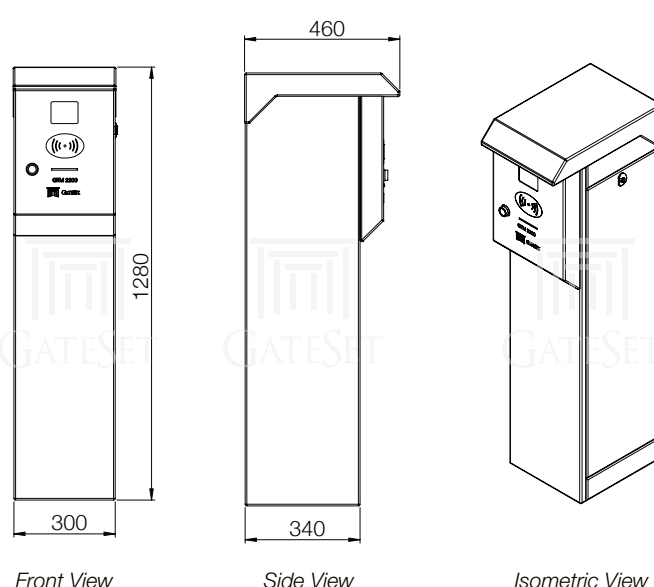


GUIDANCE GateSet Parking Guidance System provides ease of access and efficient time management to visitors. Innovative parking screens show floorplan and available spaces through online communication with ultrasonic LED sensors placed at each individual parking spot.



GMS>M Datasheet v.2.0

Drawings and Dimensions*



Subject to change depending on design or project needs without prior notice

Technical Specifications*

DISPLAY	3.5" LCD/TFT color screen
FEATURES	Barcode ticket printer/dispenser Membership card reader
EMBEDDED CARD READER	Contactless Type Proximity
PRINTING SPEED	Ticket printing in 1.5 seconds
DOUBLE SIDED READING	Reads inserted tickets regardless of inserting direction
SYSTEM FEEDBACKS	LOW TICKET QUANTITY and SYSTEM ERROR feedbacks
ANTI CORROSION	Powder coated case
DIMENSIONS (in mm)	300 x 460 x 1280
OPERATING TEMPERATURE	- 20°C / +55°C
TICKET CAPACITY	5,000 tickets.
MAIN POWER	220V / 50Hz
ON BOARD POWER	24V PSU.
OPERATION CONTROL	Complete PLC controlled
COMMUNICATION	RS 485 - Online
CERTIFICATION	ISO 9001:2015
WARRANTY	2 Years

Subject to change depending on design or project needs without prior notice

