



# SPEED GATE TURNSTILES

## GS-4000 Series

GateSet Smart Line GS-4000 Series Speed Gate Turnstiles requires minimal space with its intelligent design while providing advanced features such as PLC controlled movement provided by servo motor, 8 optical sensors for security features such as anti-tail-gating and anti-pass-back. Thanks to its elegant design and high reliability, GS-4000 Series is the perfect solution for areas where smart use of space and passage speed are equally important.

SmartLineGS-4000Datasheet v.2.0

### Functional Highlights



Swing Wing Movement



Bidirectional



Indoor



Security / Comfort



30 Passages / min

### Usage Areas

- Access Control
- Fee Collection
- Access Restriction
- Business Centers
- Government Offices
- Airports
- Industrial Plants

### Featured Characteristics

- Elegant** - Satin finished 304 Stainless Steel Case, tempered glass top cover and obstacles
- Reliable** - Servo motor, controlled by Omron PLC providing a long product life with minimum maintenance
- Robust** - 1.2 mm 304 grade stainless steel Case, enhanced with 6 mm thick internal vertical frames
- Secure** - Anti-Pass-Back and Anti-Tail-Gating with 8 pairs of embedded industrial optical sensors
- Flexible** - Ease of integration with various access control systems thanks to its control PLC answering all demanded high-end functions

### Products in this Series

**GS-4300**

- Standard Single Wing
- 304 Stainless Steel Body
- Black Tainted Glass Top
- Configured as:
  - \* Master / Starting Unit or
  - \* Slave / Ending Unit
- Provides one 550 mm wide Passage together with corresponding standard wing



**GS-4900**

- Disabled Single Wing
- 304 Stainless Steel Body
- Black Tainted Glass Top
- Configured as:
  - \* Master / Starting Unit or
  - \* Slave / Ending Unit
- Provides one 900 mm wide Passage together with corresponding disabled wing



**GS-4600**

- Standard Double Wing
- 304 Stainless Steel Body
- Black Tainted Glass Top
- Configured as:
  - \* Master / Center Unit and
  - \* Slave / Center Unit
- Provides two 550 mm wide Passages at each side together with corresponding standard wings



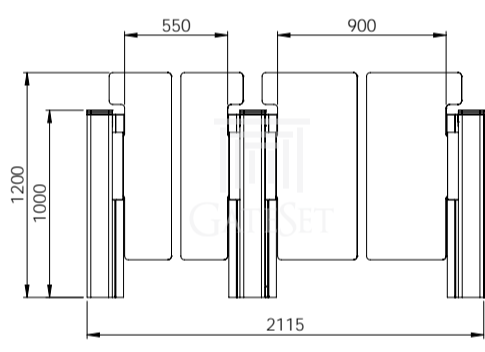
**GS-4920**

- Hybrid Double Wing
- 304 Stainless Steel Body
- Black Tainted Glass Top
- Configured as:
  - \* Master / Center Unit and
  - \* Slave / Center Unit
- Provides one 550 mm wide and one 900 mm wide Passages at each side together with corresponding standard and disabled wings

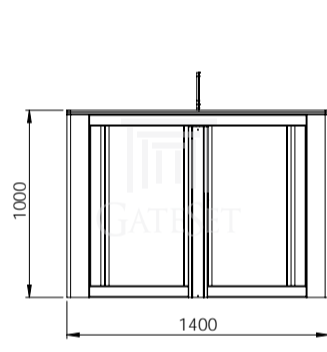


SmartLineGS4000Datasheet v.2.0

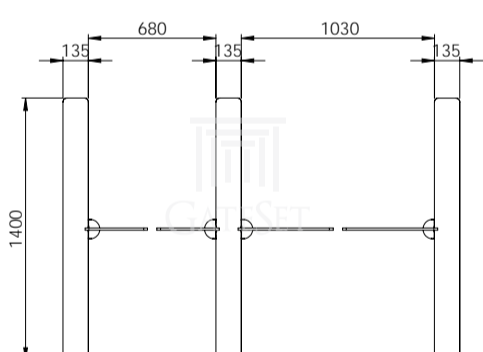
### Drawings and Dimensions\*



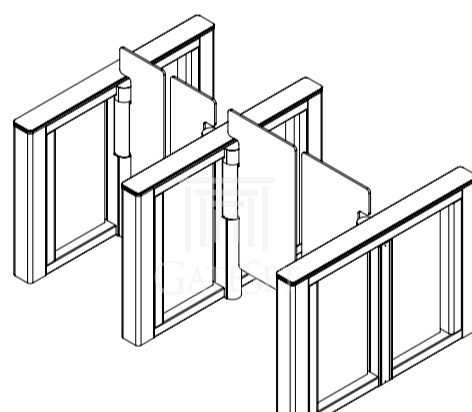
Front View



Side View



Top View



Isometric View

\* Dimensions are given for 1+1 Passage Configuration. Subject to change depending on design or project needs without prior notice

### Technical Specifications\*

<b>MATERIAL - MAIN BODY</b>	1.2 mm 304 grade stainless steel, satin finishing
<b>MATERIAL - TOP COVER</b>	12 mm Plexiglas Layer for LED Stripes, Finished by 10 mm Tempered Safety Glass (Black Tainted)
<b>MATERIAL - INNER CASE</b>	Reinforced with 6 mm horizontal galvanized metal bars to increase strength
<b>MATERIAL - OBSTACLE</b>	12 mm thick tempered safety glass
<b>SIDE COVERS</b>	Optical sensors are covered with 3mm thick Plexiglas
<b>TREATMENT - OTHER PARTS</b>	All other parts are coated against corrosion
<b>MAIN BODY DIMENSIONS (mm)</b>	200 x 1400 x 1000 (Single Wing), 265 x 1400 x 1000 (Double Wing)
<b>OBSTACLE LENGTH (mm)</b>	250 mm (Standard Wing), 425 mm (Disabled Wing)
<b>PASSAGE WIDTH (mm)</b>	550 mm (Standard Passage), 900 (Disabled Passage)
<b>WING HEIGHT</b>	115-240 mm to 1500 mm
<b>OPERATING VOLTAGE</b>	115-240 V AC - 50-60 Hz
<b>POWER CONSUMPTION</b>	400 W (max) for single wing, 800 W (max) for double wings
<b>OPERATING TEMPERATURE</b>	-20 °C / + 70 °C
<b>ACCESS CONTROL</b>	Highest end Omron PLC control for granting access. Easy integration with all kind of N/C control equipment, configured to receive free contact at standard 8 point (pairs) IR sensor control for N/O mode, sequential (switching) passage feature for N/C mode. The system continuously monitors the status of the corridor and gives alarm in several cases. When a user occupies the lane without flushing a card, systems gives alarm after an adjustable time. In instances where the lane is not used when access is granted, the system will give alarm after adjustable time-out duration is exceeded
<b>SENSOR CONTROL</b>	When the lane is occupied from the opposite direction of the granted access, the system will give alarm
<b>OCCUPANCY MONITORING</b>	When an unauthorized access attempt is made right after a valid access, system will give alarm and block access right after the valid passage (alarm/block access configurations are adjustable)
<b>PASSAGE TIME-OUT</b>	Position of the obstacle wings are continuously detected by servo motor
<b>ENCOUNTERING</b>	Passage indication with side LEDs. Green for passage free, Red for passage blocked, Blue for standby
<b>ANTI-TAIL-GATING</b>	MotORIZED MOVEMENT by 220 V AC - 400 W servo motor coupled with 50:1 gearbox
<b>POSITION DETECTION</b>	Middle safety IR sensors for preventing obstacle - user interference
<b>SIDE LED STRIPES</b>	Unidirectional and Bidirectional operation features as "Only Entrance", "Only Exit", "Entrance and Exit"
<b>OBSTACLE MOVEMENT</b>	Handling more than 30 passengers per minute
<b>SAFETY SENSORS</b>	Electrical and mechanical safety for all components. To avoid injuries, all corners and sides are rounded
<b>DIRECTIONAL MODE</b>	The wings are rotated automatically to open position
<b>CAPACITY</b>	Wings automatically rotate to open position in order to ensure safe evacuation during emergency
<b>OPERATION SAFETY</b>	Position Sensor feedback is used to determine in which direction the wings will open
<b>ELECTRICAL FAILURES</b>	Ease of installation with compact design
<b>EMERGENCY OPERATION</b>	ISO 9001:2015
<b>INSTALLATION</b>	2 Years
<b>CERTIFICATION</b>	
<b>WARRANTY</b>	

\* Subject to change depending on design or project needs without prior notice

SmartLineGS-4000Datasheet v.2.0

### Optional Accessories



#### DC Power Pack

With DC Power Pack, wings can be configured to open automatically in case of power failure



#### Laser Logo Engraving on Wings

Personalized graphics engraving with laser on obstacles are provided on demand



#### Stand-Alone Card Reader

For sites without Access Control System, seamless stand-alone card reader is available



#### Button Control Panel

Designed for ease of operation from reception or supervision desks, remote or wired options

### Finishing Options

- Standard** - 304 Stainless Steel, Satin Finishing
- Optional** - 316 Grade Stainless Steel, Satin Finishing
- Optional** - Powder Coating with Anti-Rust Layer and Heat Treatment (RAL Colours Available)