

TRIO TURNSTILES GT-3200 Series

GateSet Classic Line GT-3200 Series Trio Turnstiles combine high durability and aesthetic design, presenting an ideal solution for areas requiring moderate level of security. Suitable of functioning both indoor and outdoor, GT-3200 Series Turnstiles are manufactured from 1.5 mm 304 grade stainless steel. With proven ability to handle massive crowds, double leg case design of GT-3200 ensures robustness against high frequency access points such as subways and stadiums.

ClassicLineGT-3200Datasheet v.2.0

Functional Highlights



Electromechanical



Bidirectional



Indoor/Outdoor



Security / Comfort



30 Passages / min

Usage Areas

Access Control
Stadiums
Subways
Concert Halls
Sport Centers
Industrial Plants

Featured Characteristics

- Elegant** - Delicately processed Satin finish on 304 Grade Stainless Steel
- Reliable** - Heavy duty mechanics controlled by reliable electronics, ensuring long product life with minimal maintenance requirement
- Robust** - Case and arms manufactured from 1.5 mm thick stainless steel with 2 legs for maximum resistance to high frequency usage
- Safe** - Optional drop arm function which provides fast passage and evacuation in case of emergency
- Flexible** - Ease of integration with various access control systems thanks to its sophisticated electronic control card, which answers all demanded high-end functions

Products in this Series

GT-3200

- Flat Top design provides ease of passage
- Recommended For:
 - * Handling 4,000+ users / day



GT-3240

- Angled Top design provides seamless incorporation for all reader integrations
- Recommended For:
 - * Handling 4,000+ users / day



GT-3204

- Flat Top design provides ease of passage
- Recommended For:
 - * Handling 4,000+ users / day
 - Emergency Drop Arm Feature



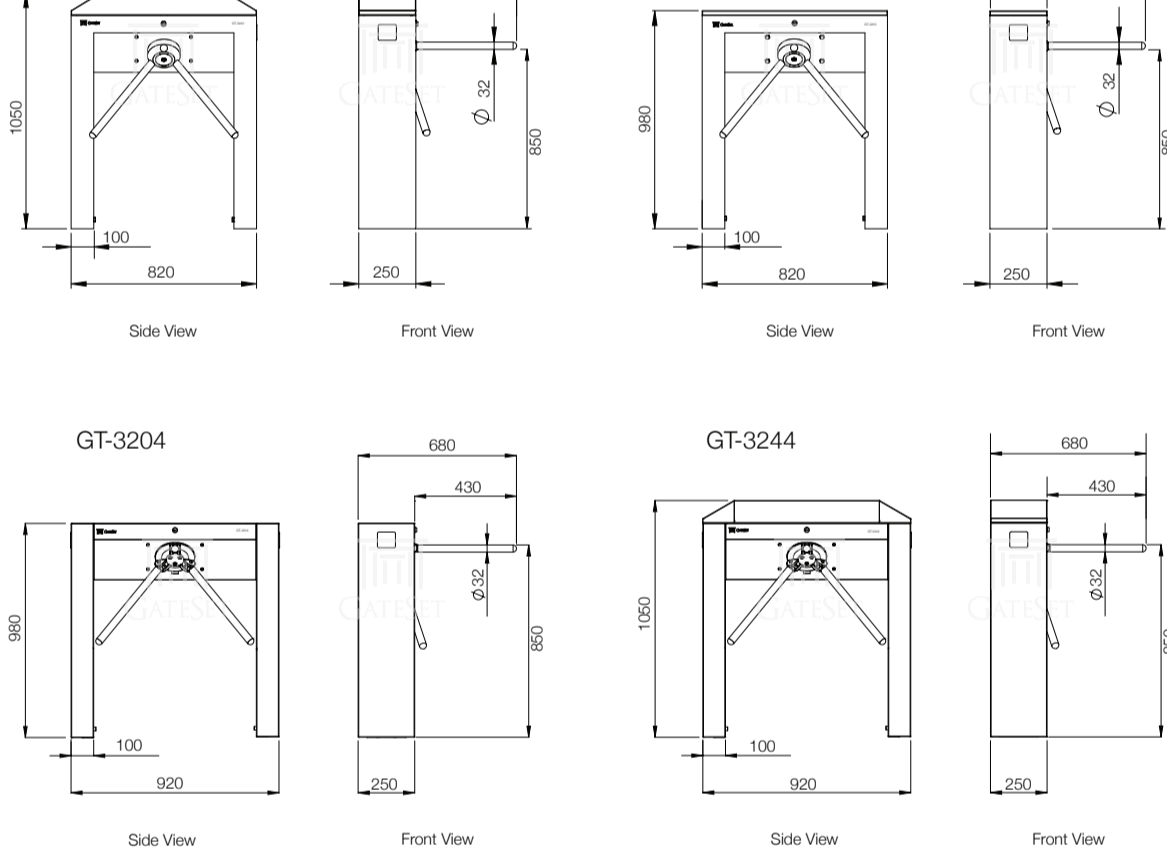
GT-3244

- Angled Top design provides seamless incorporation for all reader integrations
- Recommended For:
 - * Handling 4,000+ users / day
 - Emergency Drop Arm Feature



ClassicLineGT-3200Datasheet v.2.0

Drawings and Dimensions



Technical Specifications

MATERIAL - MAIN BODY	1.5 mm 304 grade stainless steel, satin finishing
MATERIAL - ROTATING ARMS	1.2 mm 304 grade stainless steel, polished
TREATMENT - OTHER PARTS	All other parts are coated against corrosion
DIMENSIONS (mm)	GT-3200: 250 x 820 x 980 (WxLxH) GT-3204: 250 x 920 x 980 (WxLxH) GT-3240: 250 x 820 x 1050 (WxLxH) GT-3244: 250 x 920 x 1050 (WxLxH)
ARM LENGTH (mm)	430
OPERATING VOLTAGE	115-240 V AC / 24V DC - 50-60 Hz
NOMINAL / MAX. CURRENT	250 mA / 850 mA
POWER CONSUMPTION	30 W
OPERATING TEMPERATURE	-20 °C / + 70 °C
ACCESS CONTROL	Microprocessor based control for granting access Easy integration with all kind of access control equipment Integrated passage counter at Control Unit with 4 digits display. Entry/Exit/Coin Feedback Signals, 2x 12 V DC 0.3 A Power Outputs, Speaker Output Entry/Exit/Emergency Input Signals (Free Contact), RS232 Input Passage Sensors and Token/Coin Unit Inputs (accessories are optional)
PASSAGE COUNTER	Entry/Exit/Emergency Operation Test and Reset Buttons integrated at Control Unit
CONTROL UNIT TEST BUTTONS	Position detection with two separate micro-switches at mechanics
POSITION DETECTION	Dropping feature at each tripod arm providing ease of site evacuation at the case of emergency, in GT-3204 and GT-3244 models
DROP ARM FEATURE	Two separate warning indicators at front and rear side of the gate. Green arrow indicates "Passage Open", Red rear indicates "Passage Closed"
WARNING INDICATORS	6 directional and Bidirectional operation features as "Only Entrance", "Only Exit", "Entrance and Exit". Easy mode selection with micro-switch adjustments.
OPERATION MODE	Self-centered and smooth operation by means of spring and hydraulic damper
DIRECTIONAL MODE	Handling more than 30 passengers per minute
ROTATION CONTROL	While aesthetic classical case design provides good outlook.
CAPACITY	Its modularity ensures ease of installation and part replacement
DESIGN	Electrical and mechanical safety for all component.
OPERATION SAFETY	To avoid injuries, all corners and sides are rounded
ELECTRICAL FAILURES	Main mechanism released and unlocked automatically. Arms rotates free
CERTIFICATION	ISO 9001:2015, CE
WARRANTY	2 Years

* Subject to change depending on design or project needs without prior notice

ClassicLineGT-3200Datasheet v.2.0

Optional Accessories



Passage Sensors

Sensors can be deployed on the turnstile in accordance with required functions such as real-time passage signal or unauthorized passage alarm. 2 Sensors for one passage is available for bi-directional operation.



Button Control Unit

Designed for ease of operation where security personnel is responsible of opening the turnstile for passengers; wired and remote options available.



Stand-Alone Card Reader

For sites without Access Control System, seamless stand-alone card reader is available.



Token Unit

Customizable token collector can be integrated to the turnstiles, system is adaptable to all token and coin types.

Finishing Options

- Standard** - 304 Stainless Steel, Satin Finishing
- Optional** - 316 Grade Stainless Steel, Satin Finishing
- Optional** - Powder Coating with Anti-Rust Layer and Heat Treatment (RAL Colours Available)