

# UNDER VEHICLE SURVEILLANCE ACCESS CONTROL SOLUTIONS UVS2000 Series

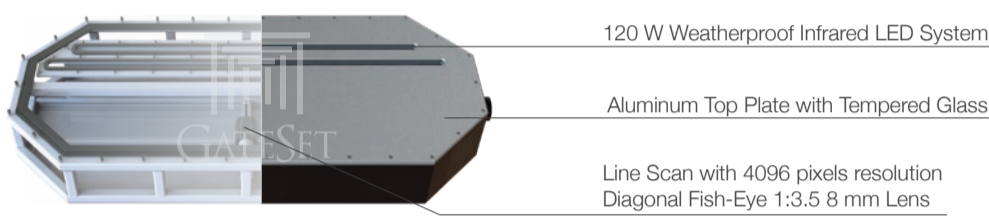
UVS2000 Under Vehicle Surveillance System is a real-time visual data obtainment, storage and managing system with high-end components. UVS2000 provides high definition real-time imagery with 4K resolution, allowing the security personnel to inspect vehicles on their workstation monitors. The system also enables users to perform retrospective image comparison, by creating a profile for each vehicle thanks to seamless integration with PRS3500 Series License Plate Recognition System which is provided optionally on demand.

UVS2000 Datasheet v.2.0

## Usage Areas

- Access Control*
- Military Sites
  - Government Offices
  - Police Headquarters
  - Research Centers
  - Embassies
  - Airports
  - Industrial Areas

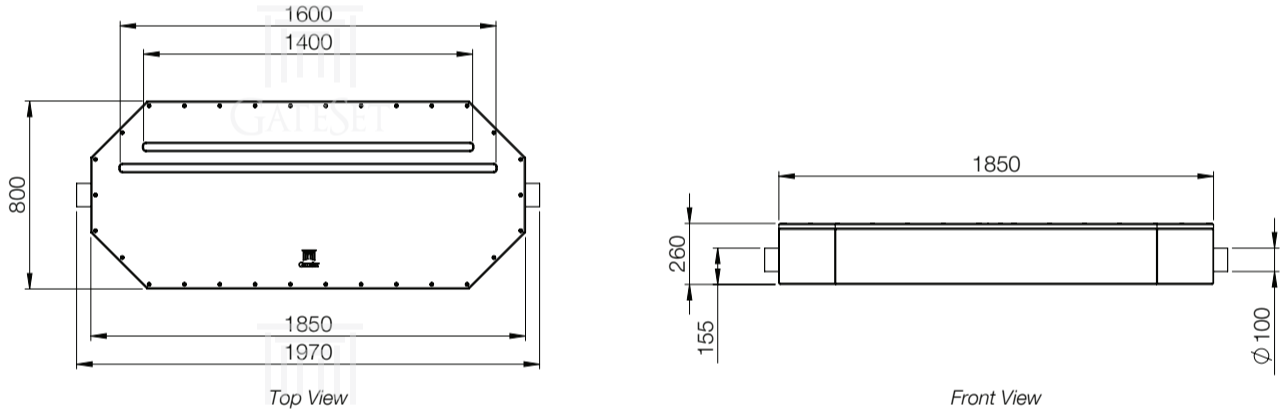
## UVS2000 Series System Components



- Camera* Line Scan with 4096 pixels resolution, 26 kHz Line Rate, Monochrome Linear CMOS Sensor
- Lens* Diagonal Fish-Eye 1:3.5 8 mm Lens with 3.5 Aperture Range and 180 degrees Angle of View
- Illumination* 120 W Weatherproof Infrared LED System
- Sensor* Fully automatic scanning with entry and exit loop detectors
- Software* Enhanced zoom function and side-by-side comparison of current entrance image with last entrance image to detect anomalies.

UVS2000 Datasheet v.2.0

## Drawings and Dimensions\*



Subject to change depending on design or project needs without prior notice

UVS2000 Datasheet v.2.0

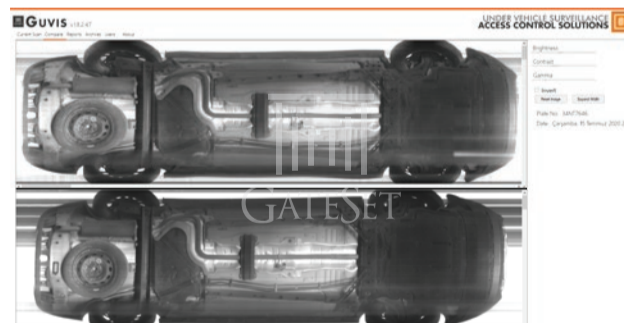
## GUVIS Imaging Software



*Current Scan* Fast Monitoring with High Resolution



*Adjustments* Brightness, Contrast and Gamma Adjustments  
Image Invert Feature



*Compare* Current image comparison with Last Image



*Synchronized Zoom* Zoom in suspected area in a Synchronized Way

UVS2000 Datasheet v.2.0

## Technical Specifications\*

<b>MATERIAL - TOP PLATE</b>	Aluminium Top Plate
<b>MATERIAL - CASE FINISHING</b>	Square Steel Case with 2 mm Thick Steel Sheet Covered Anticorrosive Coating with Two Component Epoxy Mastic (Jotamastic), Finished by Black Polyester
<b>CASE TYPE</b>	Shallow Mount Under Vehicle Surveillance System
<b>DIMENSIONS</b>	1970x800x260 mm (WxLxH)
<b>CAMERA</b>	Line Scan Monochrome 4096x1 Resolution (Color Scan is available as option)
<b>LINE RATE</b>	26 kHz
<b>SCAN SPEED</b>	0-40 km/h (up to 60 km/h optional)
<b>OUTPUT IMAGE RESOLUTION</b>	Minimum 16 Mp Under Vehicle Imagery
<b>PROTECTION</b>	Waterproof, Anti-fog, Liquid level switch
<b>PROTECTION GLASS</b>	IP67
<b>STORAGE</b>	500,000 vehicle information storage memory
<b>VEHICLE DETECTION</b>	Loop Detector
<b>UNDER VEHICLE LIGHTING</b>	Illumination by Infrared LED 120 W
<b>ACCESSORIES (optional)</b>	Control PC, Windows 10 License, 22" LCD Monitor, Power Control Panel and 3 kVA UPS (Optional)
<b>OPERATION VOLTAGE</b>	Operation Voltage 110-240V AC, 50-60HZ
<b>OPERATION TEMPERATURE</b>	Operation Temperature -20°C / + 70°C, Storage Temperature -40°C / +70°C
<b>CERTIFICATES</b>	ISO 9001:2015, CE
<b>WARRANTY</b>	2 Years International Warranty

\* Subject to change depending on design or project needs without prior notice

